

# XHS410 Datasheet

## SINGLE-HEATED PRESSURE REGULATOR



Gas  
  Liquid  
  Diaphragm  
  Piston  
  Self-Venting  
  Non-Venting  
 Max Inlet: 414 bar (6,000 psi)  
 Max Outlet: 35 bar (510 psi)  
 Cv 0.06



### INTRODUCING THE XHS410...

The XHS410 is an economical single heated regulator, available in side-entry (SE) or in-line (IL) heat transfer options to maintain sample gases in their vapour state. The SE design can be used where heat transfer is less critical, and where installations have height restrictions. The IL design maximises the heat transfer area via a spiral machined heater sheath, which mixes the gas and ensures efficient heat transfer.

The XHS410 is certified to ATEX, IECEx and CSA and its electrical enclosure meets the requirements of IP66 and NEMA 4X specifications.

### ATEX AND IECEx MARKINGS

The markings on the equipment includes:

- Ex II 2 G
- Ex db IIC T3 Gb
- 40°C ≤ Ta ≤ 60°C
- CE 2183

### FEATURES AND BENEFITS

<b>1</b> ATEX, IECEx & CSA CERTIFIED	<b>2</b> ALTERNATIVE MATERIALS AVAILABLE	<b>3</b> DIGITAL TEMPERATURE READOUT	<b>4</b> OPTIONAL POWER SUPPLY	<b>5</b> LOCAL OR REMOTE ADJUSTMENT
Certified for use in hazardous areas.	Manifold is available in aluminium or 316 stainless steel.	Digital display of set point or actual temperature (°C or °F).	110 or 230V AC.	Local or remote temperature setpoint adjustment via analogue 4-20mA input signal.

### PRODUCT CERTIFICATIONS



### STANDARD MATERIALS OF CONSTRUCTION

PART	MATERIALS
Body and Bonnet	ASTM A479 316/316L Stainless Steel (UNS S31600/S31603)
Main Valve Pin	ASTM A479 316/316L Stainless Steel (UNS S31600/S31603)
Soft Seat	Polysulfone (PSU)
Valve Spring	Inconel® X750 (UNS N07750)
Diaphragm	Inconel® X750 (UNS N07750)
O-Rings	FKM/FPM (Viton)
Electric Enclosure	Aluminium (or ASTM A479 316/316L Stainless Steel)

### SPECIFICATION

Max. Rated Inlet Pressure	414 bar (6,000 psi)
Outlet Ranges	Up to 35 bar (510 psi)
Design Proof Pressure	150% max. working pressure
Seat Leakage	In accordance with ANSI/FCI 70-3
Weight	3kg (6.6lbs)

*Note:* Pressure regulator rating may be limited by connection type, Cv and/or seat material. Contact the office for specific pressure or temperature requirements.

### USA AND CANADA MARKINGS

The markings on the equipment includes:

- US and CAN: CL I, D1 T3 Gps A-D
- US: CL1, Zone 1 AEx db IIC T3 Gb
- CAN: Ex db IIC T3 Gb (as IEXEx)
- Ta: -40°C to 59°C

**NOTE:** Product availability and specifications contained herein are subject to change without notice. Consult local distributor or factory for potential revisions and/or service related issues. Pressure Tech Ltd support with product selection recommendations only - it is the users responsibility to ensure the product is suitable for their specific application requirements.



#### PRESSURE TECH LTD

Unit 24, Graphite Way, Hadfield, Glossop, Derbyshire, UK, SK13 1QH  
 +44 (0)1457 899 307 | [sales@pressure-tech.com](mailto:sales@pressure-tech.com) | [www.pressure-tech.com](http://www.pressure-tech.com)

DESIGNED, MANUFACTURED AND BUILT IN THE UK

© 2024 Pressure Tech Ltd. All Rights Reserved.

030225

PAGE:  
1 OF 7

# XHS410 Datasheet

SINGLE-HEATED PRESSURE REGULATOR

Gas  
  Liquid  
  Diaphragm  
  Piston  
  Self-Venting  
  Non-Venting  
 Max Inlet: 414 bar (6,000 psi)  
 Max Outlet: 35 bar (510 psi)  
 Cv 0.06

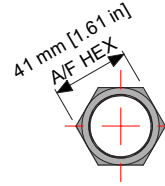
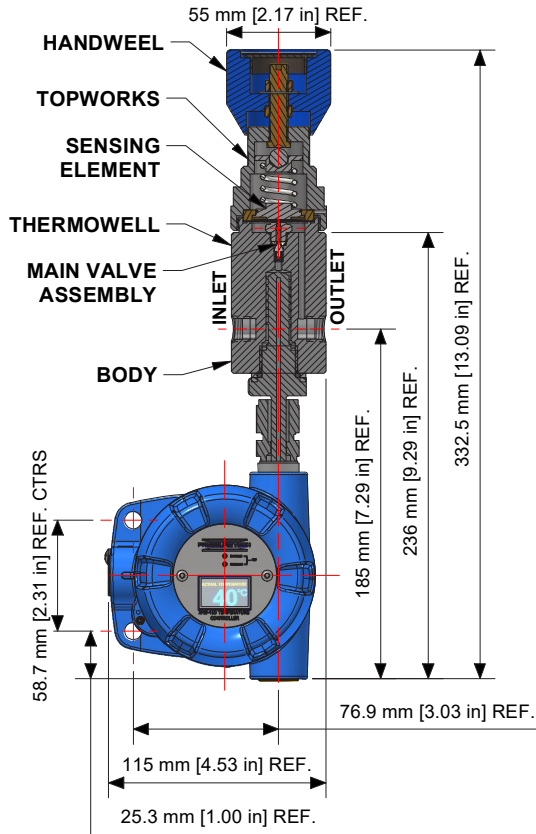
## DRAWINGS AND INSTALLATION DIMENSIONS

Note:

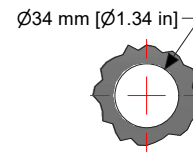
All gauge ports are 1/4" NPT as standard.

Dimensions shown for 1/4" NPT option and standard configurations only - please contact the office for other options.

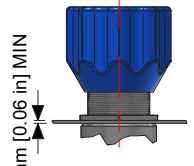
IN-LINE



PANEL MOUNT NUT  
(PT-C-024)  
STAINLESS STEEL

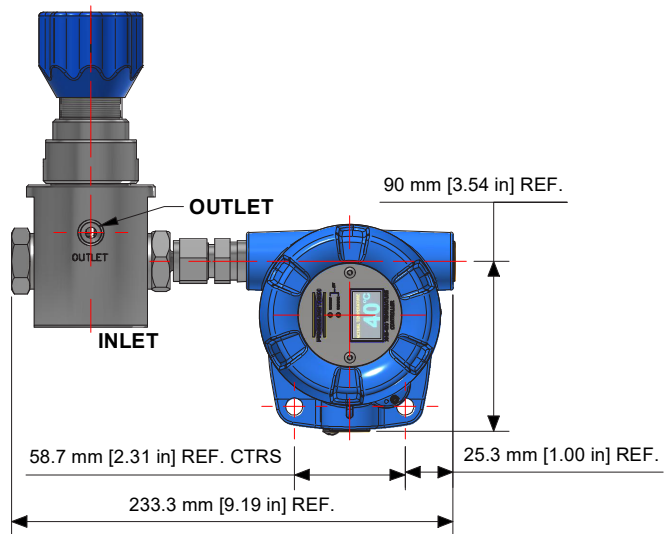
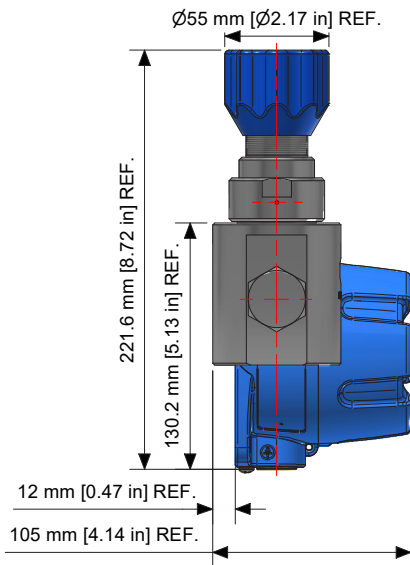


PANEL CUTOUT



PANEL

SIDE-ENTRY



NOTE: Product availability and specifications contained herein are subject to change without notice. Consult local distributor or factory for potential revisions and/or service related issues. Pressure Tech Ltd support with product selection recommendations only - it is the users responsibility to ensure the product is suitable for their specific application requirements.



**PRESSURE TECH LTD**

Unit 24, Graphite Way, Hadfield, Glossop, Derbyshire, UK, SK13 1QH

+44 (0)1457 899 307 | [sales@pressure-tech.com](mailto:sales@pressure-tech.com) | [www.pressure-tech.com](http://www.pressure-tech.com)

DESIGNED, MANUFACTURED AND BUILT IN THE UK

© 2024 Pressure Tech Ltd. All Rights Reserved.

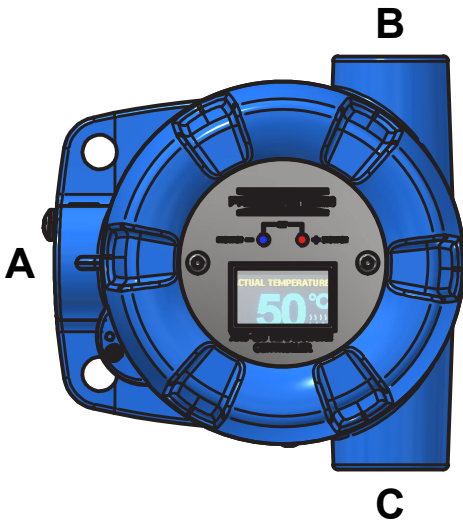
# XHS410 Datasheet

SINGLE-HEATED PRESSURE REGULATOR



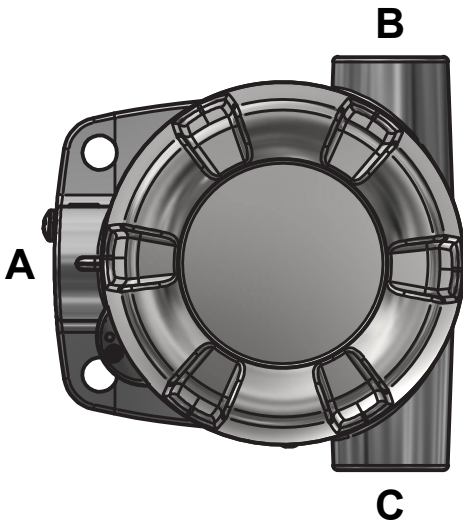
Gas  
  Liquid  
  Diaphragm  
  Piston  
  Self-Venting  
  Non-Venting  
 Max Inlet: 414 bar (6,000 psi)  
 Max Outlet: 35 bar (510 psi)  
 Cv 0.06

## ENCLOSURE OPTIONS



ALUMINIUM (WITH WINDOW)

ENCLOSURE OPTIONS				
-	CONDUIT (A)	CONDUIT (B)	CONDUIT (C)	
ALUMINIUM WITH WINDOW	A	1/2" NPT	1/2" NPT	1/2" NPT
	B	NONE	1/2" NPT	1/2" NPT
	C	NONE	M20	M20
ALUMINIUM SOLID COVER	D	1/2" NPT	1/2" NPT	1/2" NPT
	E	NONE	1/2" NPT	1/2" NPT
	F	NONE	M20	M20
STAINLESS STEEL WITH WINDOW	G	1/2" NPT	1/2" NPT	1/2" NPT
	H	NONE	1/2" NPT	1/2" NPT
	J	NONE	M20	M20
STAINLESS STEEL SOLID COVER	K	1/2" NPT	1/2" NPT	1/2" NPT
	L	NONE	1/2" NPT	1/2" NPT
	M	NONE	M20	M20



STAINLESS STEEL (SOLID COVER)

**NOTE:** Product availability and specifications contained herein are subject to change without notice. Consult local distributor or factory for potential revisions and/or service related issues. Pressure Tech Ltd support with product selection recommendations only - it is the users responsibility to ensure the product is suitable for their specific application requirements.



**PRESSURE TECH LTD**  
 Unit 24, Graphite Way, Hadfield, Glossop, Derbyshire, UK, SK13 1QH  
 +44 (0)1457 899 307 | [sales@pressure-tech.com](mailto:sales@pressure-tech.com) | [www.pressure-tech.com](http://www.pressure-tech.com)  
**DESIGNED, MANUFACTURED AND BUILT IN THE UK**  
 © 2024 Pressure Tech Ltd. All Rights Reserved.

030225

# XHS410 Datasheet

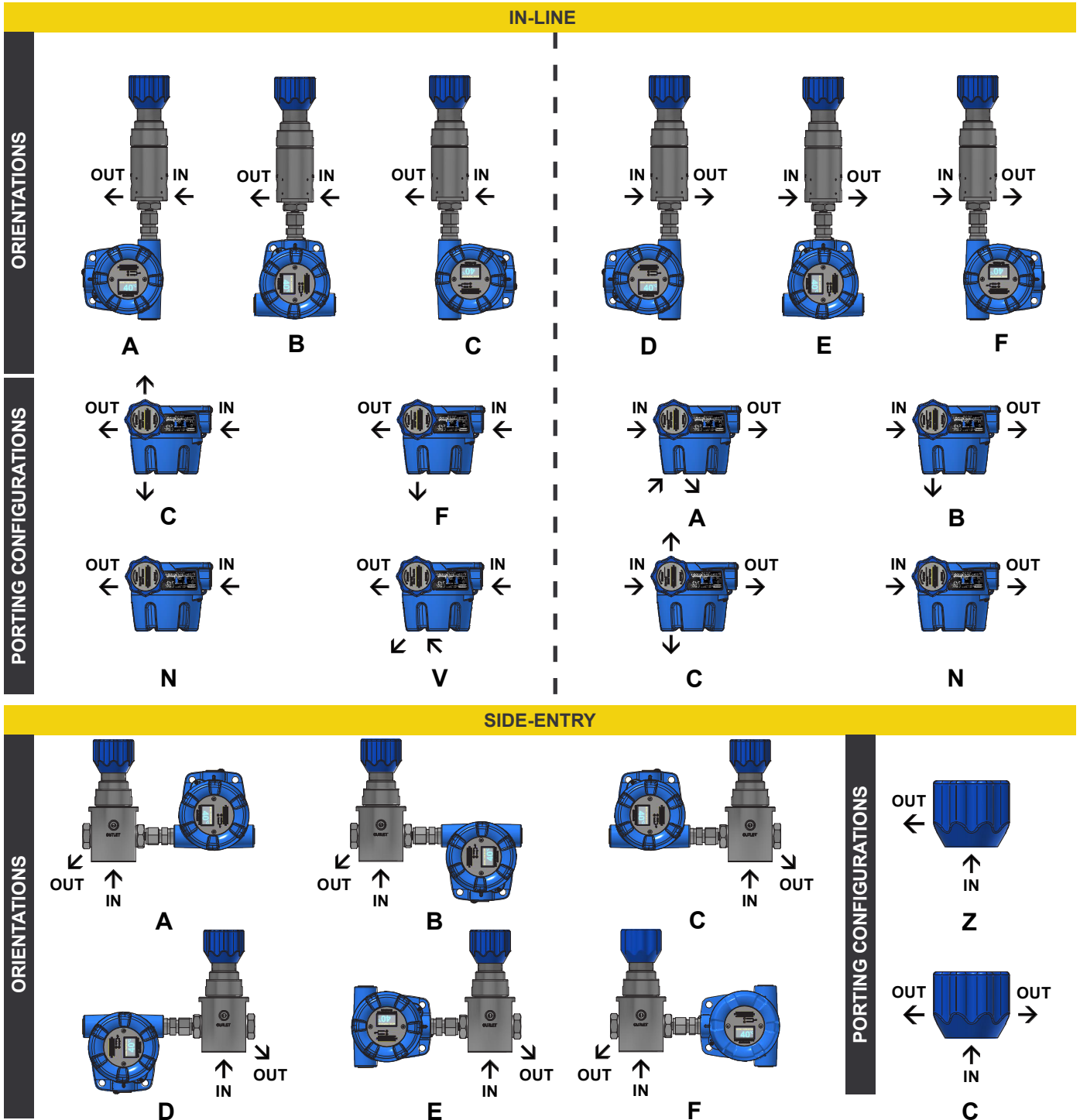
SINGLE-HEATED PRESSURE REGULATOR



Gas   
  Liquid   
  Diaphragm   
  Piston   
  Self-Venting   
  Non-Venting   
 Max Inlet: 414 bar (6,000 psi)   
 Max Outlet: 35 bar (510 psi)   
 Cv 0.06

## ASSEMBLY ORIENTATIONS

To select a valid assembly, choose your required orientation and then combine with a compatible porting configuration. Please note - gauge ports must be in a forward-facing position.



**NOTE:** Product availability and specifications contained herein are subject to change without notice. Consult local distributor or factory for potential revisions and/or service related issues. Pressure Tech Ltd support with product selection recommendations only - it is the users responsibility to ensure the product is suitable for their specific application requirements.



**PRESSURE TECH LTD**  
 Unit 24, Graphite Way, Hadfield, Glossop, Derbyshire, UK, SK13 1QH  
 +44 (0)1457 899 307 | [sales@pressure-tech.com](mailto:sales@pressure-tech.com) | [www.pressure-tech.com](http://www.pressure-tech.com)  
**DESIGNED, MANUFACTURED AND BUILT IN THE UK**  
 © 2024 Pressure Tech Ltd. All Rights Reserved.

030225

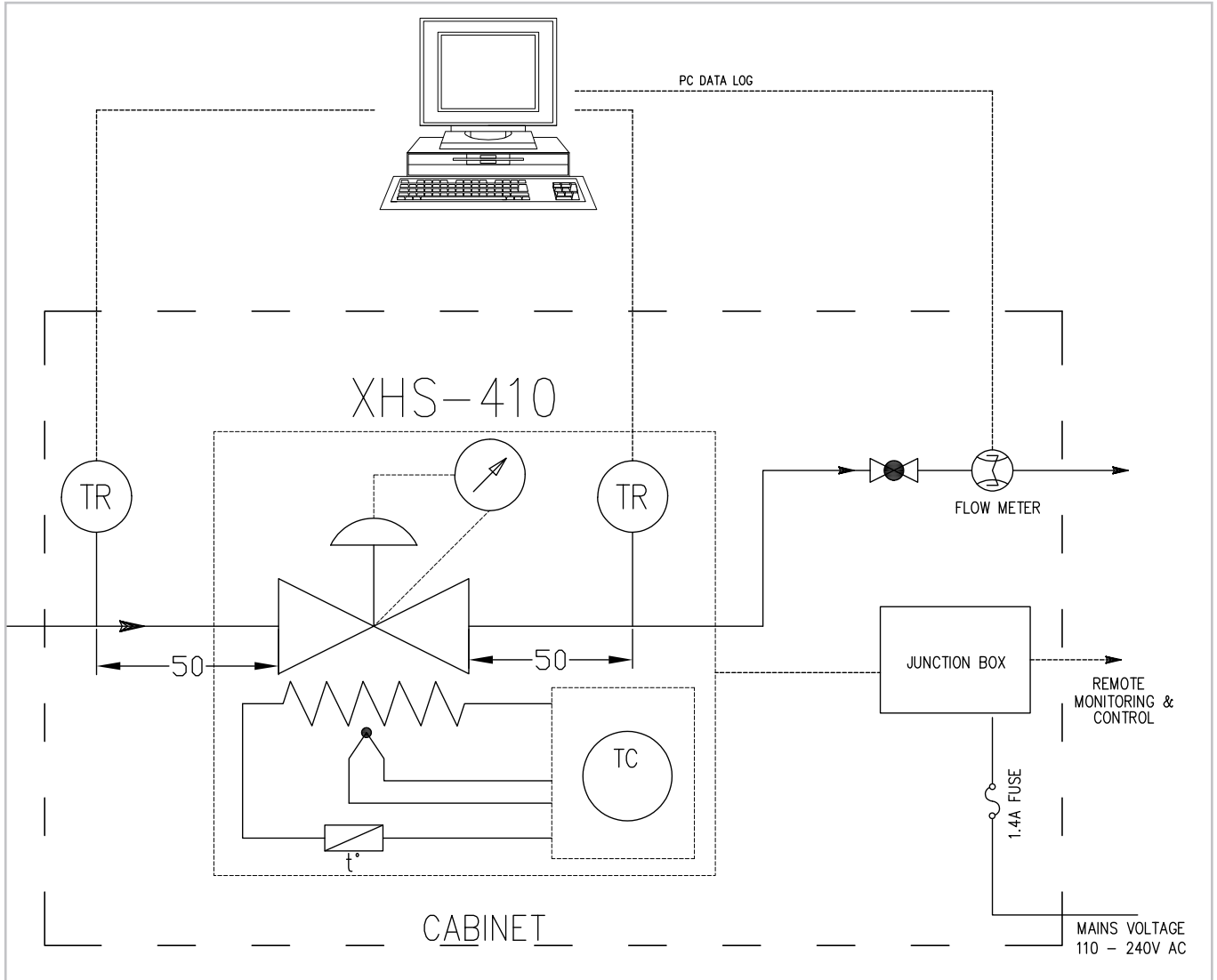
# XHS410 Datasheet

SINGLE-HEATED PRESSURE REGULATOR



Gas  
  Liquid  
  Diaphragm  
  Piston  
  Self-Venting  
  Non-Venting  
 Max Inlet: 414 bar (6,000 psi)  
 Max Outlet: 35 bar (510 psi)  
 Cv 0.06

## FLOW TEST LAYOUT



**NOTE:** Product availability and specifications contained herein are subject to change without notice. Consult local distributor or factory for potential revisions and/or service related issues.  
 Pressure Tech Ltd support with product selection recommendations only - it is the users responsibility to ensure the product is suitable for their specific application requirements.



**PRESSURE TECH LTD**  
 Unit 24, Graphite Way, Hadfield, Glossop, Derbyshire, UK, SK13 1QH  
 +44 (0)1457 899 307 | [sales@pressure-tech.com](mailto:sales@pressure-tech.com) | [www.pressure-tech.com](http://www.pressure-tech.com)  
**DESIGNED, MANUFACTURED AND BUILT IN THE UK**  
 © 2024 Pressure Tech Ltd. All Rights Reserved.

030225

PAGE: 5 OF 7

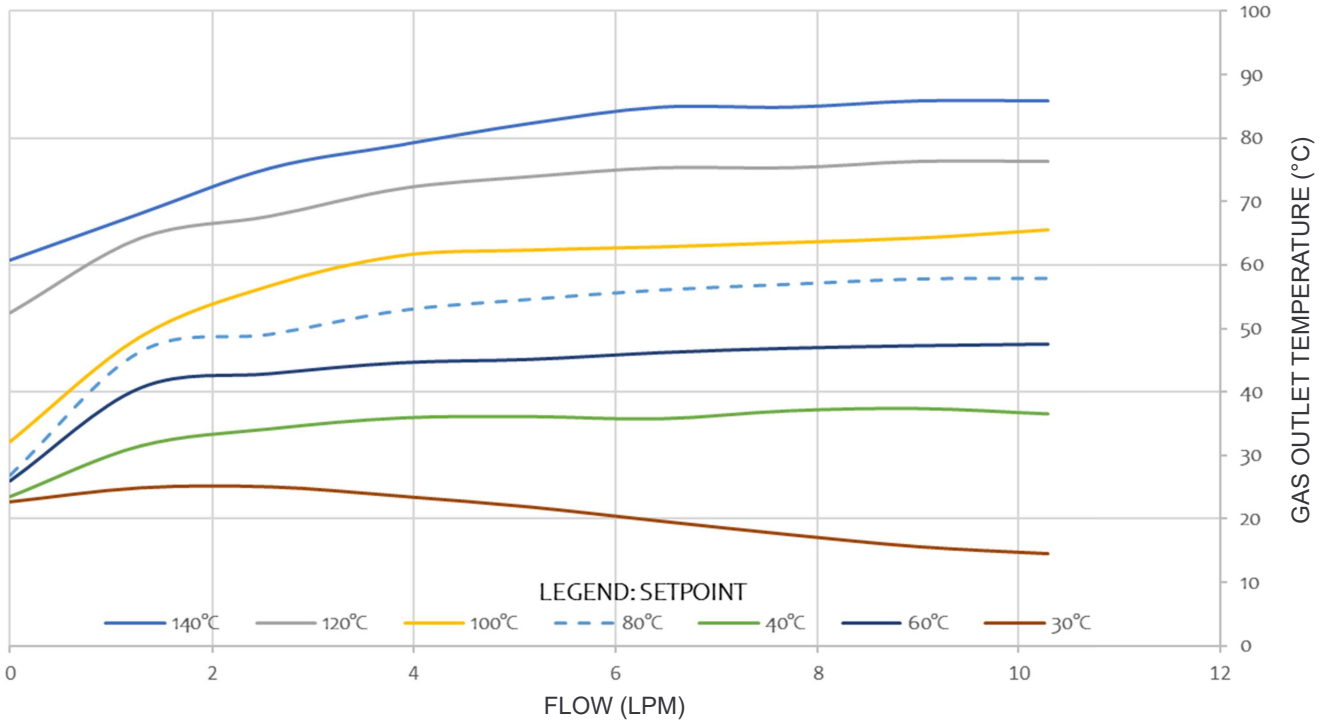
# XHS410 Datasheet

SINGLE-HEATED PRESSURE REGULATOR

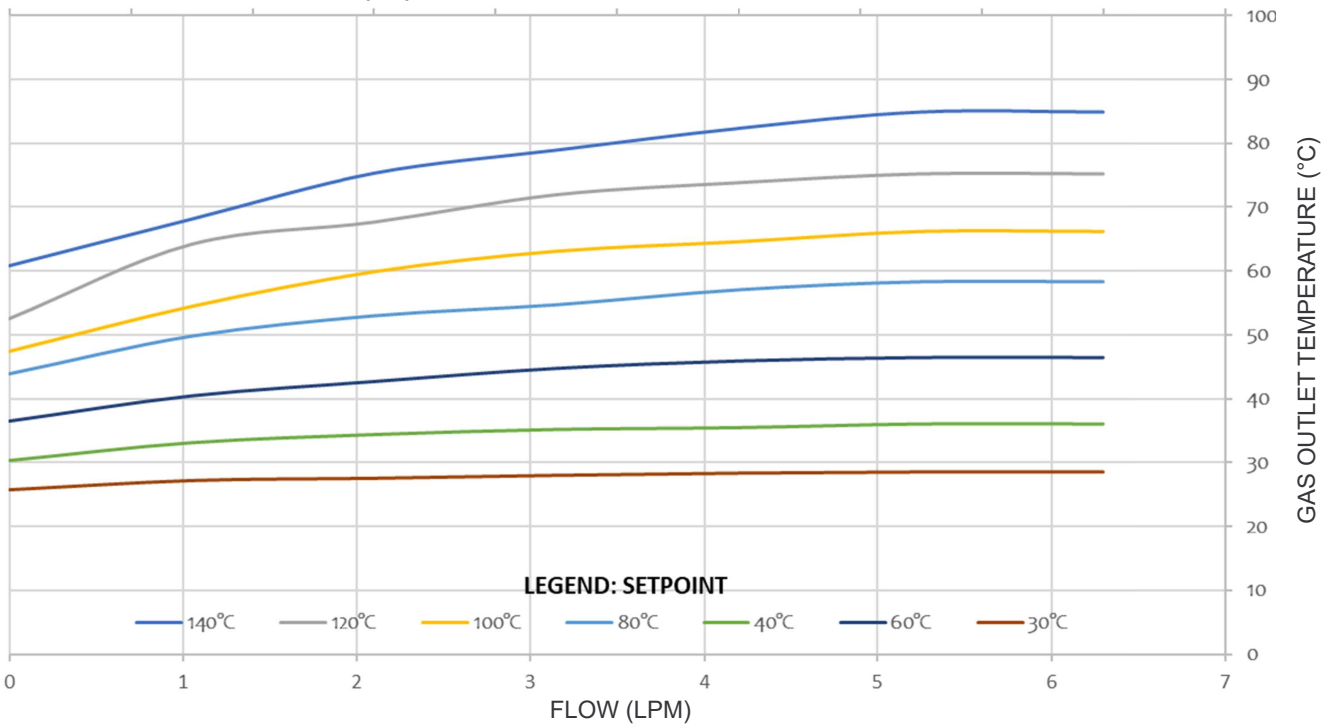


Gas    Liquid   |    Diaphragm    Piston   |    Self-Venting    Non-Venting   |   Max Inlet: 414 bar (6,000 psi)   |   Max Outlet: 35 bar (510 psi)   |   Cv 0.06

## FLOW CURVE - CARBON DIOXIDE (CO2)



## FLOW CURVE - NITROGEN (N2)



NOTE: Product availability and specifications contained herein are subject to change without notice. Consult local distributor or factory for potential revisions and/or service related issues. Pressure Tech Ltd support with product selection recommendations only - it is the users responsibility to ensure the product is suitable for their specific application requirements.



**PRESSURE TECH LTD**  
 Unit 24, Graphite Way, Hadfield, Glossop, Derbyshire, UK, SK13 1QH  
 +44 (0)1457 899 307 | [sales@pressure-tech.com](mailto:sales@pressure-tech.com) | [www.pressure-tech.com](http://www.pressure-tech.com)  
**DESIGNED, MANUFACTURED AND BUILT IN THE UK**  
 © 2024 Pressure Tech Ltd. All Rights Reserved.

030225

# XHS410 Datasheet

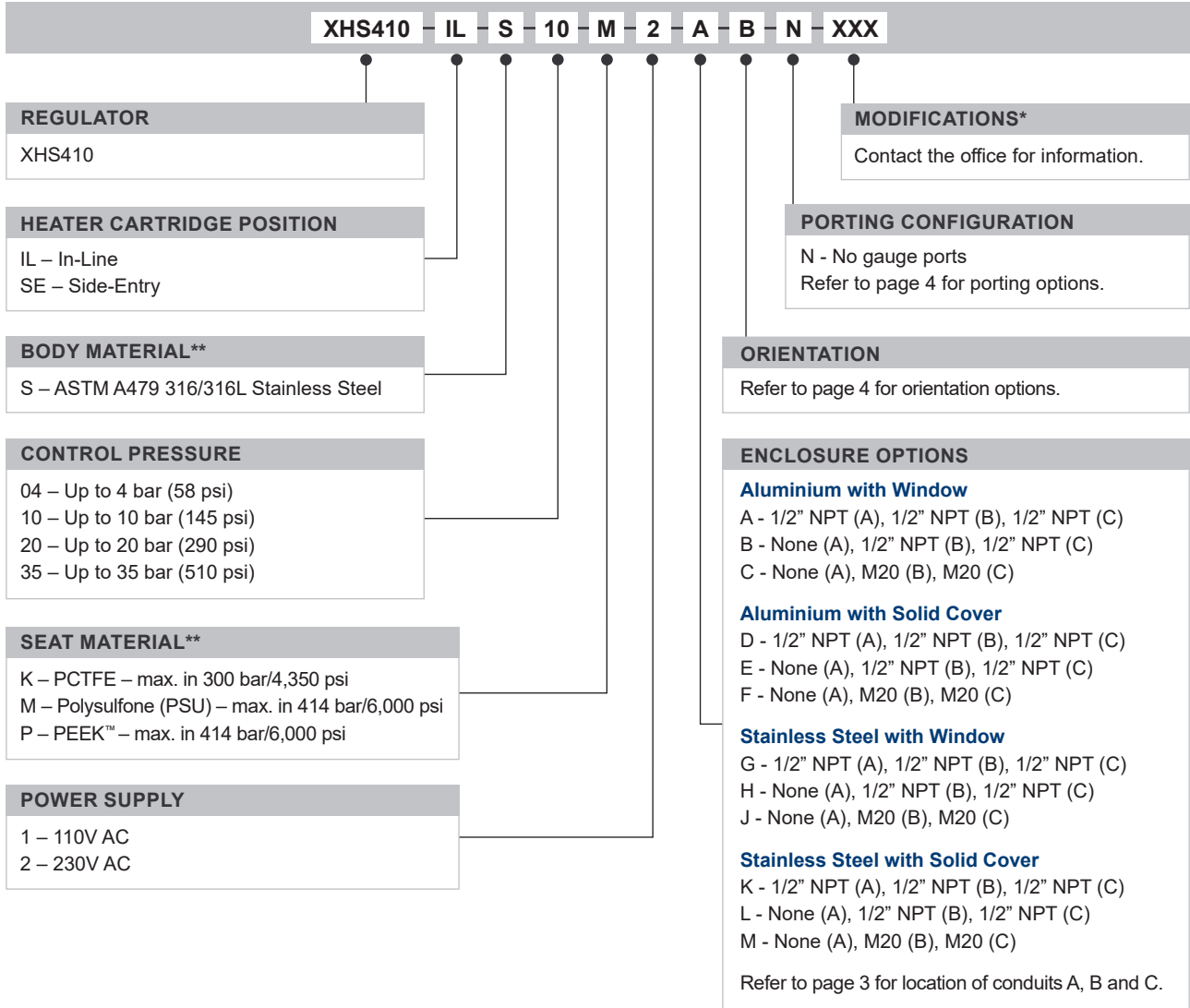
SINGLE-HEATED PRESSURE REGULATOR



Gas  
  Liquid  
  Diaphragm  
  Piston  
  Self-Venting  
  Non-Venting  
 Max Inlet: 414 bar (6,000 psi)  
 Max Outlet: 35 bar (510 psi)  
 Cv 0.06

## ORDERING INFORMATION

To build a Pressure Tech part number, simply combine the characters identified below in sequence:



OPTIONAL EXTRAS		
	PART NUMBER	DESCRIPTION
Service Kit	SRK-LF310...	Various options available
Panel Mounting Ring	PT-C-024	-

*Note:* Ancillary Equipment also available

**TRADEMARKS:** PEEK™ is a trademark of Victrex PLC  
 Inconel® is a registered trademark of Inco Alloys International

\* Where applicable  
 \*\* Other materials may be available - please contact the office

**NOTE:** Product availability and specifications contained herein are subject to change without notice. Consult local distributor or factory for potential revisions and/or service related issues.  
 Pressure Tech Ltd support with product selection recommendations only - it is the users responsibility to ensure the product is suitable for their specific application requirements.



**PRESSURE TECH LTD**  
 Unit 24, Graphite Way, Hadfield, Glossop, Derbyshire, UK, SK13 1QH  
 +44 (0)1457 899 307 | [sales@pressure-tech.com](mailto:sales@pressure-tech.com) | [www.pressure-tech.com](http://www.pressure-tech.com)  
**DESIGNED, MANUFACTURED AND BUILT IN THE UK**  
 © 2024 Pressure Tech Ltd. All Rights Reserved.

030225